

colonna 52

example code:
 | art. | electrification | finishing | size |
 430 | E14 | . | 070 |
 INOX example code:
 | art. | electrification | finishing | size |
 9200 | E14 | . | 070 |

art.
430
9200

design **Ufficio Tecnico Landa**

CONTEMPORARY
 142



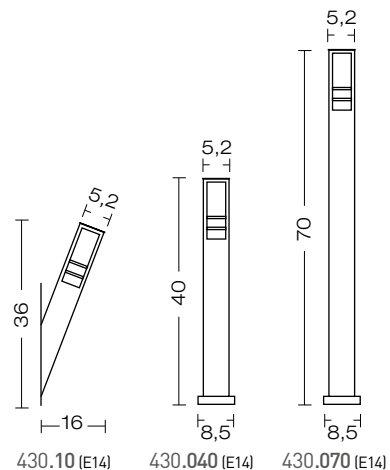
430

corpo alluminio estruso
 body extruded aluminium
 corps en aluminium extrudé
 cuerpo aluminio extrusionado
 Körper Aluminium

COLOURS

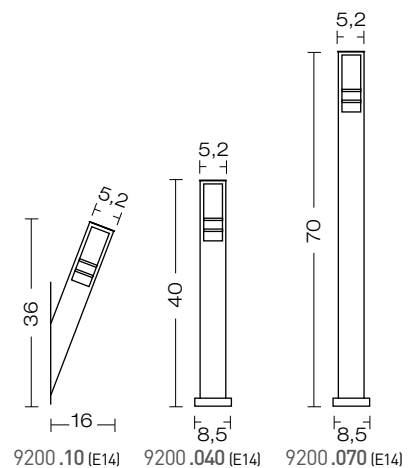


nhg



9200

corpo acciaio inox AISI 316L
 body stainless steel AISI 316L
 corps acier inoxydable AISI 316L
 cuerpo acero inox AISI 316L
 Körper Edelstahl AISI 316L



diffusore polycarbonato
 diffuser polycarbonate
 diffusor polycarbonato
 difusor polycarbonato
 Diffuser Polykarbonat



stainless steel **CLEANER**
 code OODEC
 details: p.A62

FOR TECHNICAL DETAILS VISIT
www.landa.it

IP44

850°

ELECTRIFICATION

E14
 1x max 11 W



A+ ÷ E

Energy efficiency classes

colonna 52

Projectors

Recessed

Contemporary

Traditional

CONTEMPORARY



143

