

serie/series

lampara INOX

art.	electrification	finishing	size
9500	E27	.	PA4T1

art.
9500

design **Ufficio Tecnico Landa**



146 | CONTEMPORARY

corpo acciaio inox AISI 316L
body stainless steel
AISI 316L
corps acier inoxydable AISI
316L
cuerpo acero inox AISI 316L
Körper Edelstahl AISI 316L

diffusore policarbonato
trasparente
diffuser transparent
polycarbonate
diffuser polycarbonate
transparent
difusor policarbonato
transparente
Diffuser Polykarbonat klar

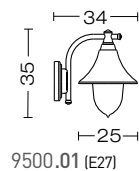


stainless steel CLEANER
code **OODEC**
details: **p.A62**

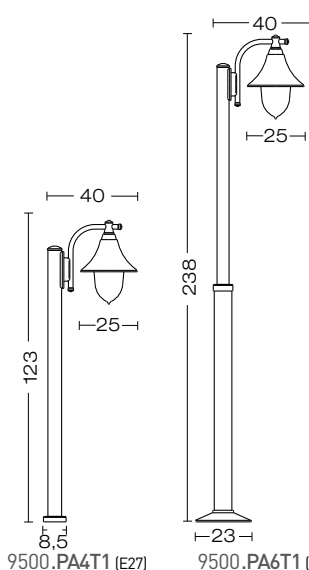
FOR TECHNICAL DETAILS VISIT
www.landa.it

IP44

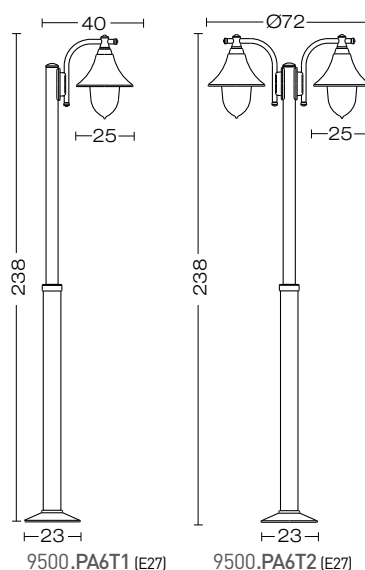
850°



9500.01 (E27)



9500.PA4T1 (E27)



9500.PA6T1 (E27)

9500.PA6T2 (E27)

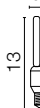


ELECTRIFICATION

1x max 100 W
2x max 100 W



1x max 23 W
2x max 23 W

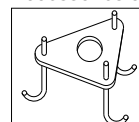


E27
1x max 20 W
2x max 20 W



A+ ÷ E

Accessories on request:



code **OOAPA6**
Anchor Bolt

available for:
9500.PA6T1
9500.PA6T2

Energy efficiency classes

lampara INOX

Projectors

Recessed

Contemporary

Traditional



CONTEMPORARY

147



Thanks to Pipbrothers - BG

