

8 800 301-72-50
<http://lampshopping.ru>

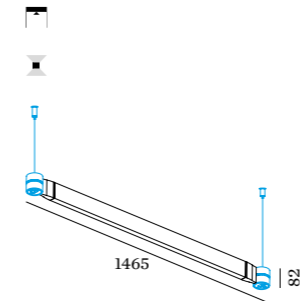


ELLO SYSTEM

1.0

LED 18W | 220-240VAC | 50-60Hz
PCB 3-step | incl. PS | phase-cut dim
aluminium powder coated
opal PMMA cover

CE 1.7kg 960° IP20 0.3



3000K | >80CRI | 940lm

	500184W4
	500184B4

ALWAYS USE
connector point

	900190W1
	900190B1

OPTIONAL

suspension
cable 2.0m **90015102**

power feeder
for suspension **90018001**

