

8 800 301-72-50  
<http://lampshopping.ru>

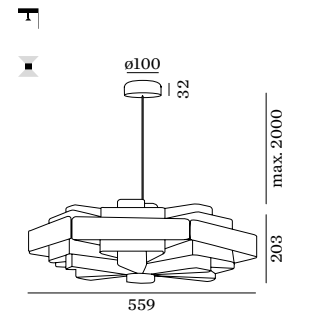


# J.J.W.

**04**

6xQA60 max. 53W | E27  
220-240VAC | 50-60Hz  
aluminium lacquered

CE 4.5kg ⊕ 960° IP20 (0,9)



-  **2052E8S0**
-  **2052E8G0**

- OPTIONAL**  
QA60 LED E27 6W  
2200K 400lm **9003E109**  
2700K 650lm **9003E108**



INTERIOR | CEILING SUSPENDED

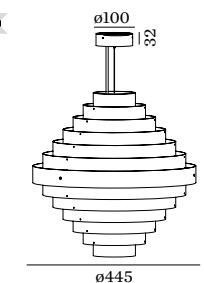


# J.J.W.

**05**

3xQA60 max. 53W | E27  
220-240VAC | 50-60Hz  
aluminium lacquered

CE 8.5kg ⊕ 960° IP20 [~0,9]



-  **2053E8S0**
-  **2053E8G0**

- OPTIONAL**  
QA60 LED E27 6W  
2200K 400lm **9003E109**  
2700K 650lm **9003E108**

