

ТЕХНИЧЕСКИЕ ДАННЫЕ ПРОДУКТА

Cefiso 14 - 40° 4000K Light grey



ДИЗАЙН:

Alessandro Pedretti
2011

МАТЕРИАЛЫ:

Painted aluminium, tempered glass

ОПИСАНИЕ:

Light fixture with adjustable direct emission, with high-performance LED light sources. Floor, wall and eaves installation. 2 sizes: Cefiso 14, Cefiso 20. Available in two finishes: grey-white and anthracite grey painted. Consist of adjustable lighting unit and terminal board. Rotation on the base $\pm 180^\circ$, body tilting $\pm 90^\circ$ by means of a graduated metal ring allowing an accurate adjustment. Positioning is maintained by means of locking dowels. Body and terminal board in EN AB44100 aluminium, silicone gaskets. Electronic ballast integrated in the body. Silkscreened tempered glass siliconed flush with the body to avoid backwater. Wiring to be carried out inside the terminal board by piercing an IP65 grommet suitable for cables with a diameter of 8-13 mm. PMMA lenses in 3 different versions of beams. White monochromatic LEDs available in 3 colour temperatures: Warm = 3000K Neutral = 4000K Screws in AISI 316 stainless steel. Painted die-cast aluminium with 3-stage outdoor treatment: nanotechnologies, antioxidant primer, polyester paint. Technical features of light fixtures in compliance with EN60598-1 and part 2-5. IP Rating IP65. ENEC approved. Insulation class I.

ВЫБРАТЬ

LED

Light grey

КОД ПРОДУКТА

T418039N00

Вид светового потока



IP65

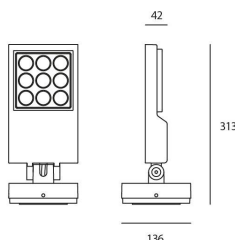


ТЕХНИЧЕСКИЕ ДАННЫЕ

ХАРАКТЕРИСТИКИ

Наименование продукции: Cefiso 14 - 40° 4000K Light grey
Код: T418039N00
Цвет: Light grey
Материал: Painted aluminium, tempered glass
Серии: Outdoor
Окружающая среда: Уличное место контракта: Фасады зданий

РАЗМЕРЫ



ЦВЕТ



РАЗМЕРЫ

Длина: cm 13.6
Ширина: cm 13.6
Высота: cm 31.3
Ударопрочность: IK10
тест раскаленной проволокой: NA °

ЛАМПЫ ВКЛЮЧЕНЫ В КОМПЛЕКТ

Категория: LED
Ватт: 22W
Световой поток (lm): 1323lm
Количество: 1 x 9
Типология: 1
Цветовая температура (K): 4000K
Класс: A

LUMINAIR

Watt: 22W
Напряжение: 220V-240V

ПРЕМИИ



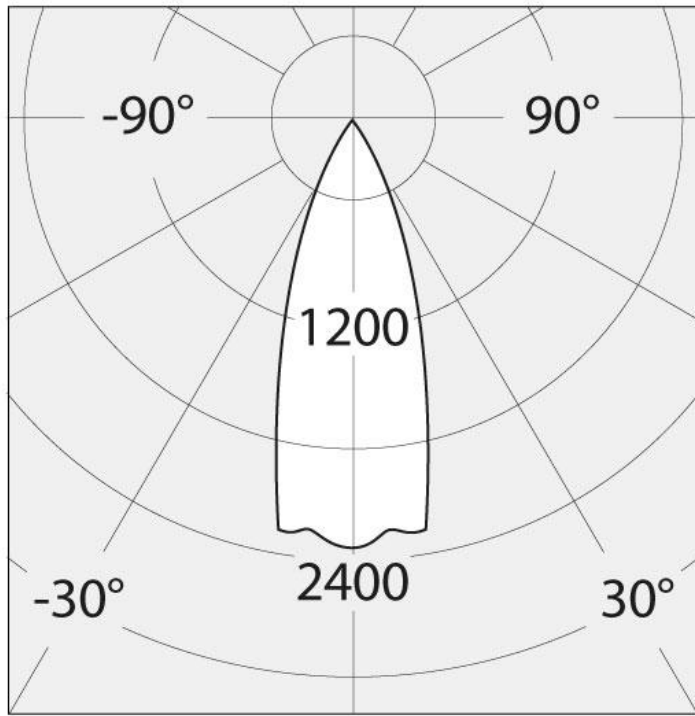
ДИАГРАММЫ

Cone diagram

H m	ØC0 m	ØC90 m	E lux
0,5	0,32	0,32	4049
1	0,63	0,63	1012
1,5	0,95	0,95	450
2	1,27	1,27	253
2,5	1,59	1,59	162
3	1,90	1,90	112

$\alpha = 32^\circ$

Polar curve



Cd/klm