

ТЕХНИЧЕСКИЕ ДАННЫЕ ПРОДУКТА

Fiamma Wall - Black



ДИЗАЙН:

Wilmotte & Industries
2014

МАТЕРИАЛЫ:

Texturized anodized aluminium lamp body / transparent injection-moulded polycarbonate diffuser

ОПИСАНИЕ:

"Modular and adjustable, Fiamma works with a LED source base and a set of accessories to meet the different needs of lighting in hotels: bedside lamp, floor lamp, wall lamp, suspension light. The look is willing to be « domestic », to feel like being at home, in order to reinforce the cosines of the object." Fiamma is a systemic lighting element designed to respond to the needs of the contract sector, yet well suited also for everyday living environments. An anodized aluminium cylinder with a specific texture – a perfect combination of look and functionality – is the true luminous engine of the system. The light emitted by the LED source is cleverly controlled by a transparent diffuser, designed with an anti-reflex texture, to ensure visual comfort in all usage conditions. Different supports can be assembled on it, all made of carefully processed aluminium, to obtain a variety of versions – suspension, ceiling, reading, table.

ВЫБРАТЬ

LED

Black

КОД ПРОДУКТА

1986020A

Вид светового потока



Dimmable

ТЕХНИЧЕСКИЕ ДАННЫЕ

ХАРАКТЕРИСТИКИ

Наименование продукции: Fiamma Wall - Black
Код: 1986020A
Цвет: Black
Материал: Texturized anodized aluminium lamp body / transparent injection-moulded polycarbonate diffuser
Серии: Design

РАЗМЕРЫ

Длина: cm 22.8
Ширина: cm 16.3
Высота: cm 26.7

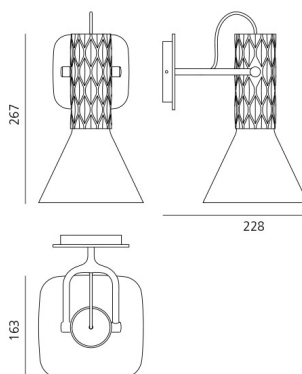
ЛАМПЫ НЕ ВКЛЮЧЕНЫ В КОМПЛЕКТ

LED Категория: LED
Ватт: 3,8W
Световой поток (lm): 350lm
Типология: 2
Цветовая температура (K): 2700K
Класс: A
Напряжение: 230V

LUMINAIR

Watt: 3,8W

РАЗМЕРЫ



ЦВЕТ

