

ТЕХНИЧЕСКИЕ ДАННЫЕ ПРОДУКТА

Provoca palo



ДИЗАЙН:

Ernesto Gismondi
2011

МАТЕРИАЛЫ:

Die-cast aluminium, metalized polycarbonate, tempered glass, steel

ОПИСАНИЕ:

The LED circuits are directly anchored to the aluminium casing of the body in order to maximize heat dissipation. Moreover, some dissipation fins have been included in the product design to increase the heat exchange surface with external air. The grid in the central part of the product allows natural air circulation, which cools the dissipation surface. Due to a natural convective motion, cold air removes heat from the dissipation grid, it heats up and moves upwards, through the lighting unit, getting new fresh air from the lower part. In this way, LEDs are maintained at a lower temperature and their life time and light efficiency increase. Head-pole fixture consist of lighting unit and pole connection. 50x50mm square pole installation with 40x120mm square shank (not supplied). Lighting unit in painted die-cast EN-AB 47100 aluminium. High-performance asymmetrical optics in metalised polycarbonate. Screens in shock resistant, high transparent tempered glass. Head-pole fitting in painted steel. Painting is obtained with 3-stage outdoor treatment: nanotechnologies, antioxidant primer, polyester paint. AISI 316 stainless steel screws and silicone seal gaskets. Technical features of light fixtures in compliance with EN60598-1. IP Rating IP65. ENEC approved. Insulation class I.

ВЫБРАТЬ

LED

Light grey

КОД ПРОДУКТА

T085400

Вид светового потока



IP65



ТЕХНИЧЕСКИЕ ДАННЫЕ

ХАРАКТЕРИСТИКИ

Наименование продукции: Provoca palo
Код: T085400
Цвет: Light grey
Материал: Die-cast aluminium, metalized polycarbonate, tempered glass, steel
Серии: Outdoor
Окружающая среда: Уличное

ОПТИКА

Вид светового потока: Direct

РАЗМЕРЫ

Длина: cm 45
Ширина: cm 23
Высота: cm 25
Ударопрочность: IK06
тест раскаленной проволокой: 650 °

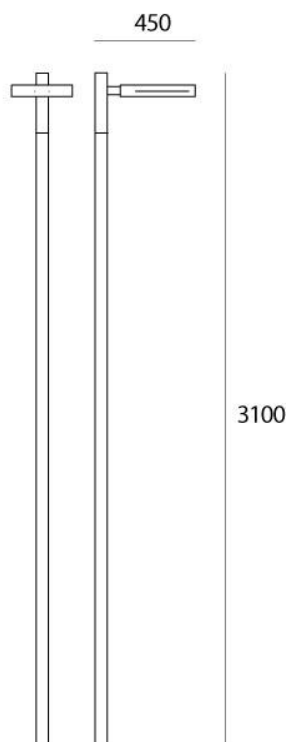
ЛАМПЫ ВКЛЮЧЕНЫ В КОМПЛЕКТ

Категория: LED
Ватт: 23W
Количество: 1 x 10
Типология: 1
Цветовая температура (К): 4000K
Класс: A

LUMINAIR

Watt: 23W
Напряжение: 220V-240V

РАЗМЕРЫ



ЦВЕТ



Установка



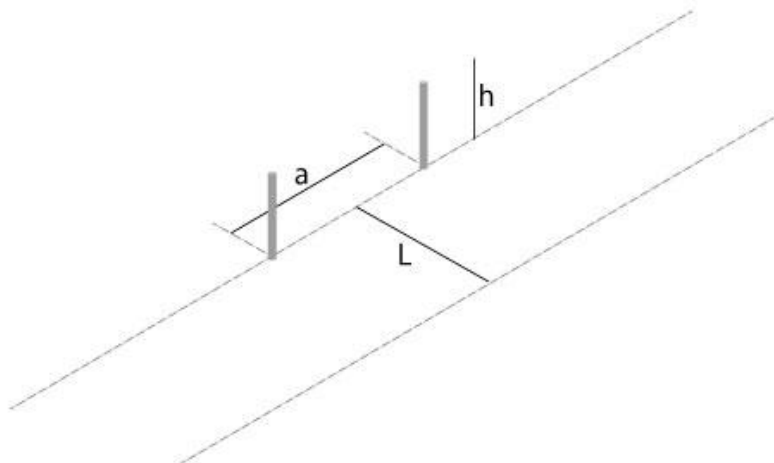


Provoca pole

LED 26,6W

Lighting application

h	L	a	Em	E _{max}	E _{min}
3.1 m	4.0 m	12 m	15 lux	48 lux	1.5 lux



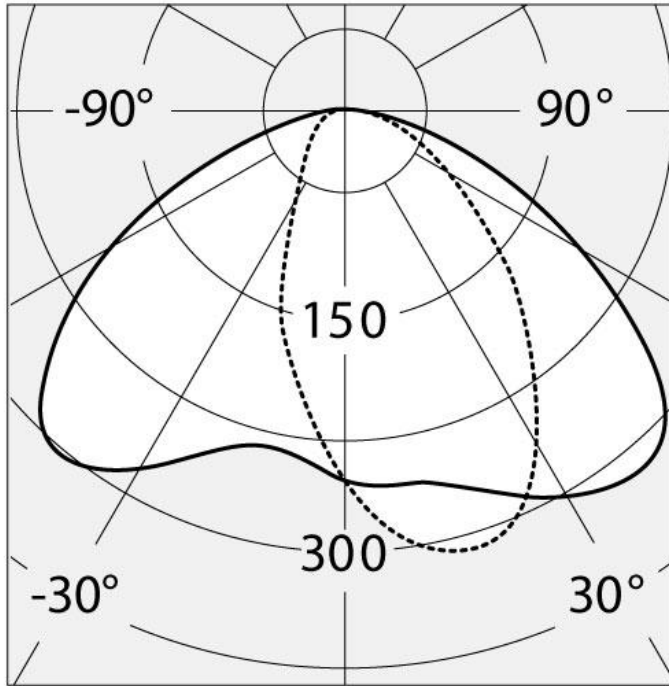
АКСЕССУАРЫ



PROVOCA ATTACCO X PALO
T085500

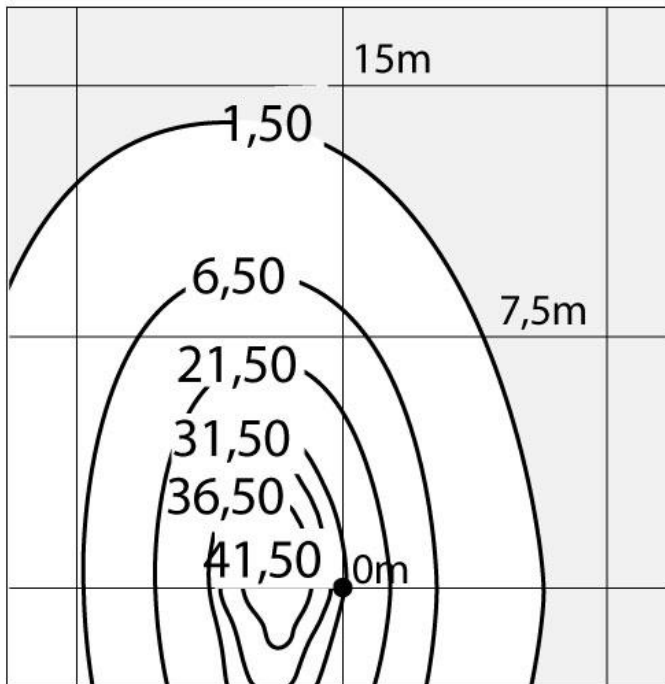
ДИАГРАММЫ

Polar curve



— C=0°-180° Cd/Klm
 ····· C=90°-270°

Isolux



Lux

Light beam

